

# Data sheet

# Concrete base

Article no. 10293341

The concrete base is the basic for mounting the ePOLE, ePOLE back-to-back and ePOLE duo for free-standing installation of the Compleo eBOX.

Four threaded rods are embedded in the concrete foundation, allowing for a fixed installation of the product. Thanks to the central cable shaft, all supply lines can be easily fed in.

# Technical data

## General Information

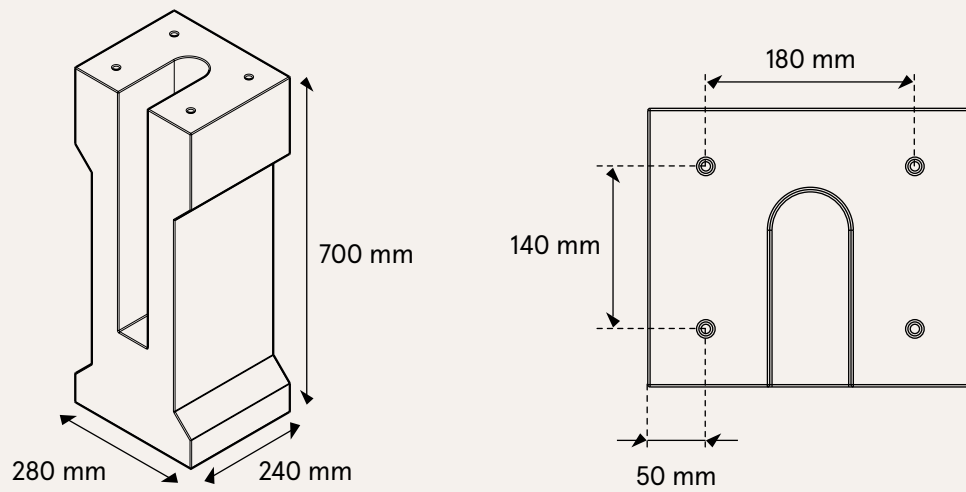
Product name	Concrete base
Reference number	10293341
Compatible with	ePOLE (10291108), ePOLE back to back (10291127), ePOLE duo (10292438)
Scope of delivery	Concrete base including threaded rods

## Mechanical data

Mounting type	Direct fastening to load-bearing substrate
Material	Concrete
Dimensions (H x W x D)	Floor mount: 700 x 280 x 240 mm
Weight	Approx. 100 kg

# Technische Daten

## Technical drawing





The power to move



Compleo Charging Solutions AG  
Ezzestraße 8  
44379 Dortmund  
Germany

[info@compleo-cs.com](mailto:info@compleo-cs.com)  
[compleo-charging.com](https://compleo-charging.com)

©2023 Compleo. All rights reserved.

This document may not be copied or reproduced in any form or by any means, in whole or in part, without written permission. All illustrations in this document serve only as examples and may differ from the delivered product. All information in this document is subject to change without notice and does not represent a commitment on the part of the manufacturer.

Technical changes and errors excepted.