

Data sheet eSMARTMETER

Article no. i00021678

The intelligent eSMARTMETER enables MID-compliant measurement of the charging current.

It is compatible with all variants of the eBOX and is installed in the eCLICK.



Technical data

General informationen

Product name	eSMARTMETER
Compatible charging stations	eBOX Product family
Version	For one eCLICK
Scope of delivery	Smart Meter including connection material

Mechanical details

Dimensions (H x W x D)	120 x 105 x 35 mm
Weight	Approx. 0.4 kg

Connectivity

User Interface	Two-line LCD display with 6 digits before the decimal point, 0 digits after the decimal point
----------------	--

Electrical data

Maximum charging output	22 kW
Nominal voltage, number of phases, nominal frequency	230 - 400 V; 1 - 3; 50 Hz
Power input	Current path ≤ 0.005 W at 5 A/ ≤ 1.0 W at 60 A, Voltage path ≤ 0.65 W/3.5 VA

Certification

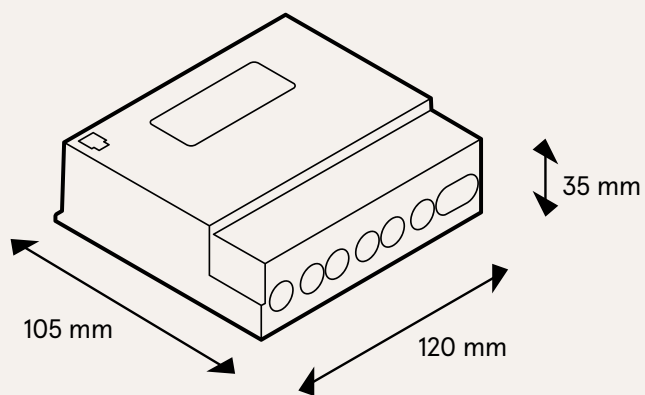
IP protection class	IP51
Approvals	CE

Environmental conditions

Environmental operating temperature	-40 °C bis +70 °C
Humidity	Max. 95 %, non-condensing

Technical data

Technical drawing





The power to move



Compleo Charging Solutions GmbH & Co. KG

Ezzestraße 8
44379 Dortmund
Germany

info@compleo-cs.com
compleo-charging.com

©2024 Compleo. All rights reserved.

This document may not be copied or reproduced in any form or by any means, in whole or in part, without written permission. All illustrations in this document serve only as examples and may differ from the delivered product. All information in this document is subject to change without notice and does not represent a commitment on the part of the manufacturer.

Technical changes and errors excepted.